



Bigblue RANGECOOKERS

**INSTALLATION INSTRUCTIONS AND USER GUIDE**

Select Steel and Glass Splashbacks

**ISSUE C**

---

## Introduction

Dear Customer,

Thank you for choosing and buying one of our products.

The safety precautions and recommendations which follow are for your own safety and the safety of others. They will also enable you to benefit from the full features of your appliance. Please look after this booklet and retain it for future reference.

The manufacturer declines any responsibility in the event of damage caused by improper use or installation of the appliance.

# Installation

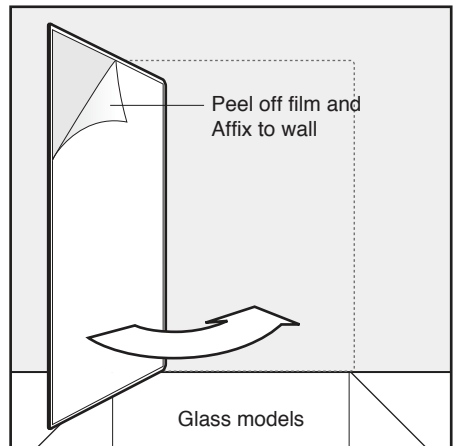
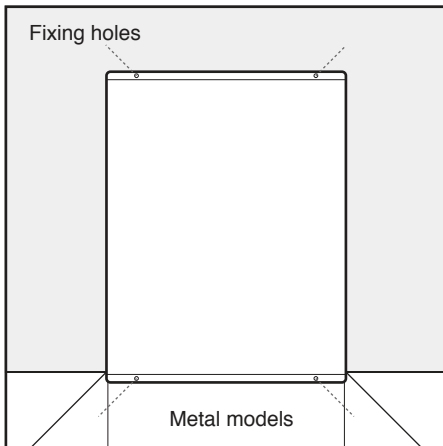
## INSTALLATION ADVICE

### STEEL MODELS

- Fix to wall with 5mm diameter screws (not provided)

### GLASS MODELS

1. Ensure that the surface of the wall is sound, properly sealed and free of dust and dirt, flat and level and suitable for fixing a glass splashback.
2. Carefully measure the wall and mark out the correct position for the splashback. Ensure that there is a small gap (approx. 2mm) between the splashback and the cooker / work surface.
3. If the splashback is to sit on a bench top, apply a thin line of sealant along the back of the bench where it meets the wall to ensure that any gap between wall and bench is sealed.



4. If the splash back is not to be supported by a bench top, pin a piece of timber or board to the wall or carefully prop up the glass with timber supports to support the splashback in the correct position whilst the adhesive cures.  
NB If the splashback is not supported at the bottom whilst the adhesive cures it is likely to fall off the wall.
5. You can use masking tape to secure the splashback to the wall whilst the adhesive tape cures. Full curing takes about 24 hours.
6. When the adhesive has fully cured and after you have removed any masking tape, apply a thin bead of the sealant around all exposed edges.

## Cleaning information and Contact

### **CLEANING ADVICE**

Stainless steel models

- Clean with a proprietary stainless steel cleaning fluid
- Polish with direction of grain using a microfibre cloth

Black steel models

- Clean with hot soapy water, and dry using microfibre cloth

Glass models

- Clean with a proprietary glass cleaner

### **Service and Helpline Information:**

tel: 01244 402 976

[www.bigbluerangecookers.co.uk](http://www.bigbluerangecookers.co.uk)

Installation Instructions and User Guide

Select Steel and Glass Splashbacks

Booklet No: RC-UG-SP