



Bigblue RANGECOOKERS

TM

**Service and Helpline Information:**

tel: 01244 402 976

[www.bigbluerangecookers.co.uk](http://www.bigbluerangecookers.co.uk)

**Installation Instructions and User Guide**

Bigblue Chimney Hoods

Booklet No: BB-UG-CH

Bigblue RANGECOOKERS is a trading name of Bigblue Products Ltd.

**INSTALLATION INSTRUCTIONS AND USER GUIDE**

Bigblue Chimney Hoods

**ISSUE B**

## Introduction

Dear Customer,

Thank you for choosing and buying one of our products.

The safety precautions and recommendations which follow are for your own safety and the safety of others. They will also enable you to benefit from the full features of your appliance. Please look after this booklet and retain it for future reference.

This appliance must only be used for the function for which it has been designed: for the extraction of cooking vapours. Any form of inappropriate usage is considered as dangerous.

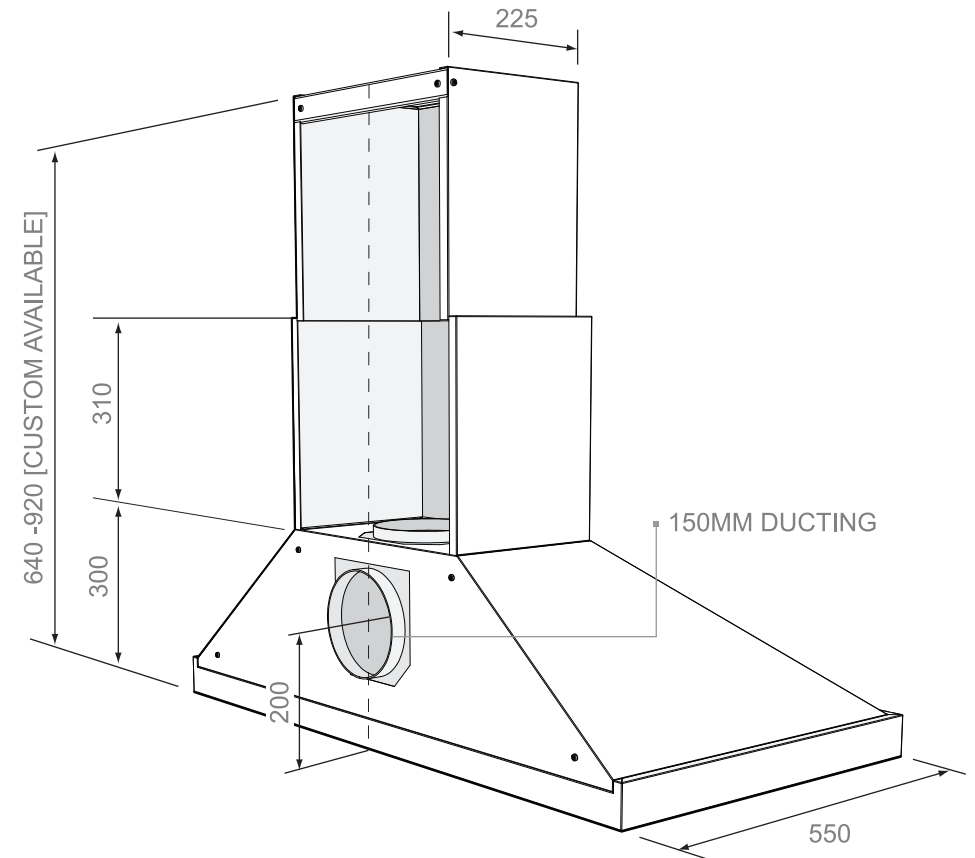
The manufacturer declines any responsibility in the event of damage caused by improper use or installation of the appliance.

## INSTALLATION

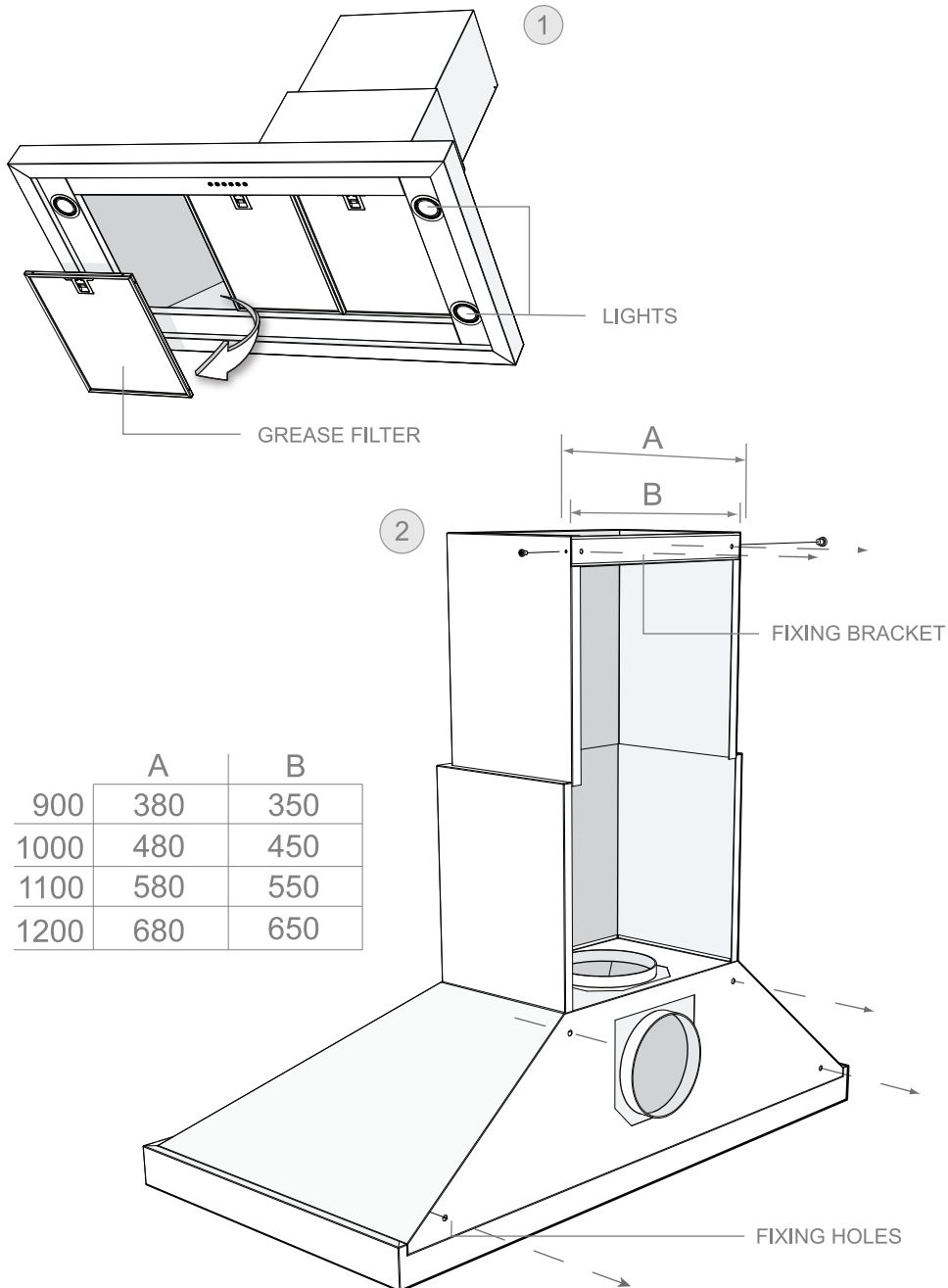
Ensure that the surface you are attaching the hood to is clean, flat and dry. Mark a line where you wish for the bottom of the hood to be situated, ensuring that it is level. If a splashback is installed, the top is an ideal ledge for the hood to sit.

- 1 Remove all of the grease filters to reveal the fixing holes [the number of grease filters will vary depending on the width of the product] Please refer to page 4 for instructions on how to do this
- 2 Hold the hood up to the wall where you wish for it to be situated and mark the fixing points. The fixing method will vary depending on what wall the hood is to be affixed to, most will require rawl plugs to be affixed into the wall. Finally screw the hood in place using the washers and screws provided

**WARNING: BE CAREFUL WHEN LIFTING THE HOOD, THIS MAY REQUIRE TWO PEOPLE. FIXINGS SUPPLIED MAY NOT BE RELEVANT DEPENDING ON WHAT TYPE OF WALL THE HOOD IS TO BE ATTACHED TO. IF IN DOUBT SEEK PROFESSIONAL ADVICE**



## Installation & Measurements



## Installation & Operation

### IMPORTANT INFORMATION

The exhaust air must not be discharged into a flue which is used for exhausting fumes from appliances supplied with energy other than electricity e.g. oil- or gas-fired central heating boilers, gas-fired water heaters, etc.

Requirements of the relevant authorities concerning the discharge of exhaust air must be complied with.

Pay particular attention to fire risk when frying. To minimise the risk of fire, all instructions relating to cleaning the grease filters and removing grease deposits must be adhered to.

Do not flambé under the extractor.

The clearance between the hob burners and the bottom surface of the extractor should be within the following range:

- hob-to-extractor clearance (min): 750mm
- hob-to-extractor clearance (max): 900mm

The minimum distance between the range hob burners and the bottom of the extractor is essential to prevent overheating of the extractor and its components.

The maximum distance between the range hob burners and the bottom of the extractor is required to ensure that the extractor collects the cooking fumes and odours efficiently.

Please also note that a 90° bend in 150mm flexible ducting will require 215mm minimum headroom to give a smooth radius with no kinking.

### WARNING

Proper care must be taken to ensure that the negative pressures caused by high performance extraction systems do not adversely affect the safe operation of certain types of fuel-burning appliances (gas, oil or solid fuel), including those installed in the kitchen and possibly also those installed in other parts of the house.

Where such fuel-burning appliances are installed, adequate ventilation **MUST** be provided in the room of installation, located and sized such that the negative pressure in the room created by the extractor does not exceed 4Pa.

In case of doubt, do not operate the extractor and fuel-burning appliance(s) simultaneously and consult an appropriate (for the fuel type) expert for advice.

### ELECTRICAL SAFETY

This appliance requires an earth connection.

Ensure that the supply voltage corresponds to that marked on the rating label inside the extractor.

The extractor must be isolated from the electrical supply before carrying out any cleaning or maintenance operations.

## EXTRACTION PERFORMANCE

The primary influence on the overall performance of the extractor is the design of the ducting which takes the exhaust air from the extractor to the outside. The duct route should be a prime consideration during the initial stages of the kitchen design.

Please note the following:

- Easy access to the duct route during installation is important. Lack of access may require the “blind” fitting of flexible ducting, with increased risk of unseen kinks and impaired efficiency.
- The extractor is provided with a spigot suitable for connecting the ducting (150mm diameter).
- Note: the cross-sectional area of the agreed duct size should not be reduced as this seriously reduces extraction efficiency.
- The most efficient configuration is to duct straight through an outside wall so try to position the cooker against an outside wall when designing your kitchen.
- If your extractor has adjustable exhaust positions then use the exhaust position which gives the shortest achievable duct route and least number of bends. Joist positions will often determine what is achievable.
- Rigid round ducting (150mm) will perform best, with semi-rigid (often referred to as flue liner) being the second best solution. Flexible ducting is economical but its use should be minimised as it gives the worst performance and should only be used for short duct runs or initial connection and should be pulled taut to prevent significant losses in extraction efficiency.
- For maximum efficiency, ducting should be kept as short as possible and as straight as possible with a constant cross-sectional area being no less than that recommended by Bigblue Rangecookers. Bends in the duct will also degrade performance so the number of bends in a duct run should be kept to a minimum and be gradual and smooth to prevent turbulence. Avoid kinks in flexible ducting; pull flexible ducting taut over straight runs to ensure that the internal surface is as smooth as possible.

## INSTALLATION

To install the hood it will be necessary to remove the filters to gain access to the fixing holes. In most cases it may also be necessary to remove the chimney in order to access the fixing holes, duct spigot and electrical supply cords and connections.

### Exhaust Position

Your extractor exhaust spigot assembly position is adjustable and can be set to top outlet (default) or rear outlet

The exhaust spigot assembly refers to the provision made for connecting the duct work to the extractor.

## Caution

This appliance is designed to be operated by adults. Children should not be allowed to tamper with the controls or play with the appliance.

Do not use the cooker hood where the grill is not correctly fixed! The suctioned air must not be conveyed in the same channel used for fumes discharged by appliances powered by other than electricity. The environment must always be adequately aerated when the cooker hood and other appliances powered by other than electricity are used at the same time. Flambé cooking with a cooker hood is prohibited. The use of a free flame is damaging to the filters and may cause fire accidents, therefore free flame cooking must be avoided. Frying of foods must be kept under close control in order to avoid overheated oil catching fire. Carry out fumes discharging in accordance with the regulations in force by local laws for safety and technical restrictions.

This appliance is marked according to the European directive 2002/96/EC on Waste Electrical and Electronic Equipment (WEEE). By ensuring this product is disposed of correctly, you will help prevent potential negative consequences for the environment and human health, which could otherwise be caused by inappropriate waste handling of this product.

The symbol on the product, or on the documents accompanying the product, indicates that this appliance may not be treated as household waste. Instead it shall be handed over to the applicable collection point for the recycling of electrical and electronic equipment. Disposal must be carried out in accordance with local environmental regulations for waste disposal.

For a more detailed information about treatment, recovery and recycling of this product, please contact your local council, your local recycling centre or your retailer.

## Electrical Installation

- The extractor is a stationary appliance designed to be connected by fixed wiring to the electrical supply. A competent electrical technician must perform the electrical installation.
- The hood must be fed from a 230Vac single phase electrical supply using a switched spur fitted with a 3A fuse. The spur should be located adjacent to the hood/cooker so that the supply can be disconnected from the hood using the switch. The means of disconnection from the supply must have a minimum contact separation of 3mm in all poles. Alternatively, a means of disconnection in the fixed wiring according to the relevant wiring rules must be fitted.
- A supply cord for connecting the spur to the extractor is included. The mains supply is connected to the free end of this cord as follows:

INCOMING SUPPLY CORD CONNECTIONS	
CORE	CORE COLOUR
LIVE	BROWN
Neutral	Blue
Earth	Green/Yellow

## SPECIFICATIONS

Blower airflow, nominal: (Per Fan)	800 m3/hr
Supply voltage:	230V~ 50Hz
LED lamp voltage:	12V
LED lamp power:	4 x 2.6W
Motor input power:	275W
Total power:	286W
Recommended fuse size for electrical supply*	3A
Blower spigot diameter:	150mm

In all cases, you must refer to the rating plate inside the extractor and consult with your electrician to determine the correct electrical supply fuse required to protect you, your property and the appliance.

## OPERATING INSTRUCTIONS

Switch on the power at the fused spur.

The extractor has 6 push-buttons which illuminate when selected. Their functions are summarised in the below.



LIGHTS ON/OFF	MOTOR ON SPEED 1	MOTOR ON SPEED 2	MOTOR ON SPEED 3	MOTOR-TIMED INTENSIVE MODE	MOTOR - RUN ON TIMER
	Motor Off (Immediate)		Maximum Speed for normal Use	Auto reverts to lower speed after 5 minutes	Auto OFF after 10 minutes

The extractor controller will automatically switch off the appliance if there has been no operator action for 4 hours.

After 30 hours accumulated running GREASE FILTER SATURATION will be signalled by all 6 indicators flashing. Reset by pressing Push-button FAN OFF (delay).

## Maintenance

Regular maintenance is essential to ensure good performance and long-life.

To clean the stainless steel surfaces of the extractor use a suitable cleaning agent such as a Stainless Steel Cleaner and Polish. Do not use abrasive cleaning materials or products. Clean the grease filters in a dishwasher or by hand-washing in hot water and detergent. Wash the filters at least every 2 months - sooner if the extractor is used extensively. To maintain the immaculate appearance of the extractor, and to minimise fire risk, ensure that grease deposits on the extractor surfaces are kept to a minimum by regular cleaning.

### Removing the Grease Filters

- Bigblue Rangecookers hoods are fitted with clip in filters that have an integrated sprung latch mechanism.
- Release the latch by pulling the lever and remove the filter. The filter is replaced by locating the fixed tabs opposite the lever catch into corresponding slots in the baseplate and then pushing the filter into position with the latch held open. Once the filter is in position carefully release the lever, allowing the latch to engage.

### Replacing Light Bulbs

- The lamps are long life LED units and are not designed for end user replacement. In the unlikely event of failure please call for assistance.

### Removing the Chimney

- Hoods are fitted with a decorative chimney which conceals the ducting, electrical cord and, in some cases, upper wall fixing holes.
- The chimney is attached to the main body of the hood using M4 machine screws into captive nuts in the lower fixing flange of the chimney. The screw heads are found in the top of the hood and are accessed by removing the filters.
- Remove the screws and washers and keep safely for later use.
- The chimney can now be carefully lifted away from the main body of the hood to reveal the ducting spigot and electrical supply cord.
- **Duct Installation**  
Make holes, as necessary, in the walls or ceiling to take the ducting from the extractor exhaust spigot to the outside.  
The duct route length should be kept as short as possible with as few bends as possible. If terminating on an outside wall a suitable weather louvre should be fitted. A variety of ducting components and complete kits are available from building supply stores to suit most installations.

### Fixing the Extractor to the Wall

- Fixing the extractor safely into position requires two people so do not start if assistance is unavailable.
- Reveal the fixing holes in the rear of the hood as previously described.
- Offer the hood up to the wall in the desired position and mark the wall through the fixing holes. Please be sure to check that any chimney previously removed can be reattached when the hood is secured in this position and adjust position as necessary.
- Secure the hood using suitable fixings in the previously marked positions.
- The supporting wall must be of good quality, have an even surface and be sturdy enough to support the extractor.
- Fixings must be used which are suitable for the type of wall construction.

### Connecting the Ducting

- Terminate the ducting where it exits the building. If using a wall mount weather louvre secure the ducting to the louvre spigot and attach the louvre to the wall. Ensure that the air fins are directed downwards. If you are fitting an alternative termination without a spigot ensure that the ducting is secure.
- If using expanding foam make sure that flexible ducting is supported internally to prevent it crushing or use rigid ducting through the wall where foamed.
- Install remaining ductwork ensuring any flexible ducting is taut and smooth. Secure ducting to the extractor exhaust, e.g. jubilee clip, do not use duct tape as the only fixing. Check that the duct has not been flattened or kinked the extractor.